

XP Series Potentiometer Isolated Transmitter Data Sheet

1. General

XP Series Potentiometer Isolated Transmitter (one input one output, one input two outputs) receives 3-wire potentiometer signal from the industrial field, and converts into a standard process signal that have a linear relationship with the resistance value. It is widely used in data acquisition, signal transmission and conversion, PLC, DCS and other industrial measurement and control systems in the fields of machinery, electricity, telecommunications, petroleum, chemical industry, steel, sewage treatment, building construction, etc. It is used to perfect and supplement the function of the system I/O plug-in, improve the anti-interference ability of the automatic control system, and ensure the stability and reliability of the system.



2. Features

- ◆ Input, output and power are completely isolated, with strong anti-interference ability
- ◆ High accuracy, high linearity, long - term running stability
- ◆ Modular design, small size, low power consumption, suitable for intensive installation
- ◆ Plug-in construction, easy installation, disassembly and maintenance

3. Specifications

Power supply: DC24V±10%, AC220V

Power consumption: ≤2.2W

Input: 3-wire potentiometer (maximum 20kΩ)

Exciting current: ≤2mA

Output: DC voltage, DC current

Load resistance: voltage output ≥10KΩ
current output ≤350Ω

Accuracy: ±0.2%F.S

Temp. coefficient: ≤±150PPM/°C

Insulation resistance: ≥100MΩ/500VDC

Dielectric strength: input/output ≥2000VAC (1min)

input/power ≥2000VAC (1min)

output/power ≥1000VAC (1min)

Operating temperature: 0~50°C

Storage temperature: -40~85°C

Operating humidity: 10~90%RH

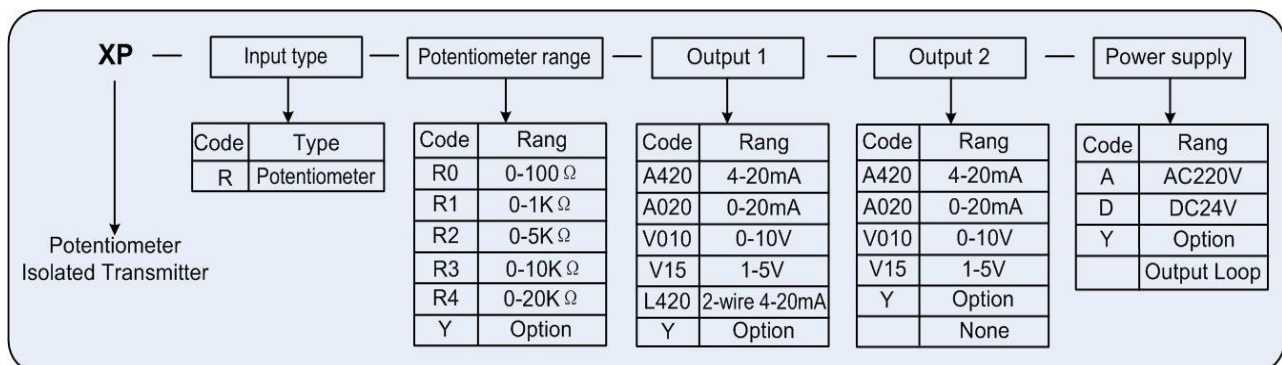
Atmospheric pressure: 86~106kPa

Installation: DIN 35mm rail

Dimension: 122mm×18mm×96mm

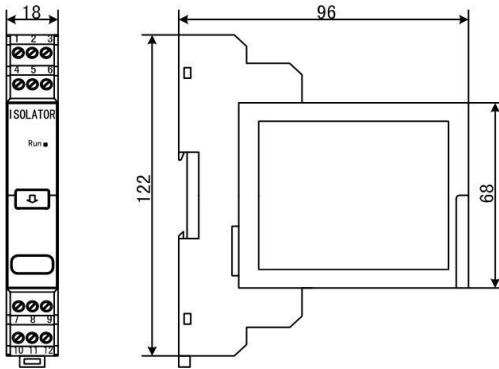
4. Ordering Information

XP series code table :

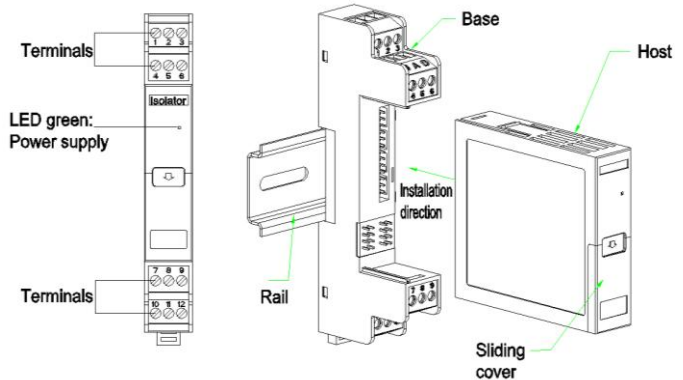


5. Dimension & Installation

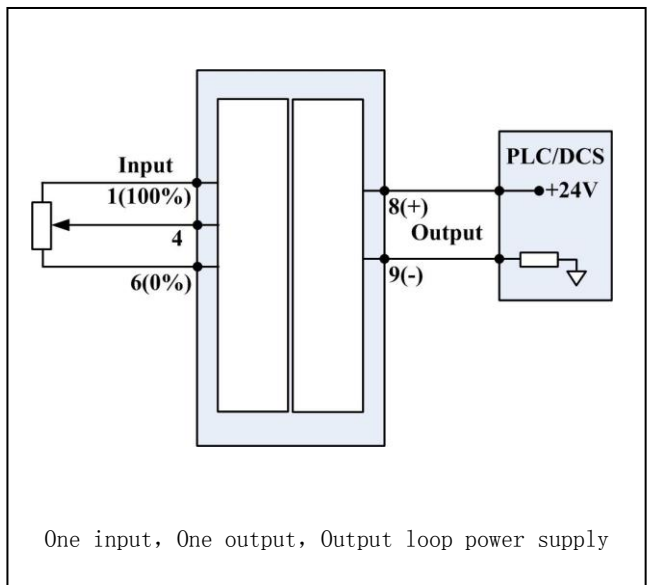
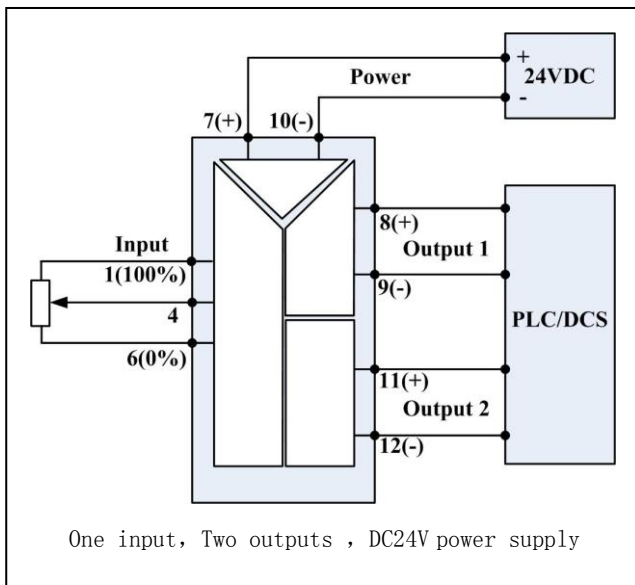
Dimension (122mm×18mm×96mm)



Installation



6. Typical Connection



Note: The connection diagrams given in this manual are typical. When installing, please refer to the connection diagram on the product.

7. Examples of ordering

Refer to the code table above and provide the model number correctly.

Example 1 input: one channel 0-1K Ω potentiometer, output: one channel 4-20mA, power supply: 24VDC

order model: XP-R-R1-A420-D

Example 2 input: one channel 0-10K Ω potentiometer, output: two channels 4-20mA, power supply: 24VDC

order model: XP-R-R3-A420-A420-D (abbreviated as: XP-R-R3-2A420-D)

Example 3 input: one channel 0-560 Ω potentiometer, output: one channel 4-20mA, power supply: 24VDC

order model: XP-R-Y-A420 -D (Y=0-560 Ω)

Example 4 input: one channel 0-1K Ω potentiometer, output: one channel 2-wire 4-20mA,

power supply: output loop

order model: XP-R-R1-L420



Please Scan