

XP Series ON-OFF signal isolator Data Sheet

1. General

XP Series ON-OFF signal isolator (one input one output, one input two outputs, two inputs two outputs) receives ON-OFF signal from the industrial field, such as proximity switch, dry contact, voltage pulse, then converts into ON-OFF signal by order to output with isolation. It is widely used in data acquisition, signal transmission and conversion, PLC, DCS and other industrial measurement and control systems in the fields of machinery, electricity, telecommunications, petroleum, chemical industry, steel, sewage treatment, building construction, etc. It is used to perfect and supplement the function of the system I/O plug-in, improve the anti-interference ability of the automatic control system, and ensure the stability and reliability of the system.



2. Features

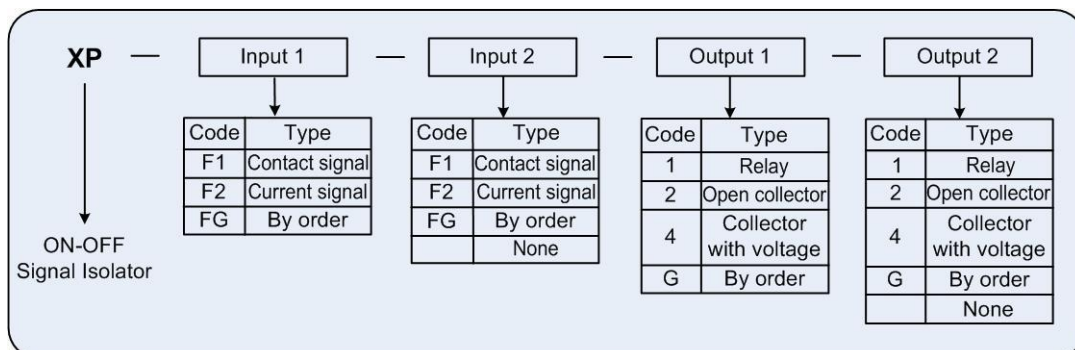
- ◆ Input, output and power are completely isolated, with strong anti-interference ability
- ◆ High accuracy, high linearity, long - term running stability
- ◆ Modular design, small size, low power consumption, suitable for intensive installation
- ◆ Plug-in construction, easy installation, disassembly and maintenance

3. Specifications

Power supply: DC24V±10%	Output capacity ≤24VDC/30mA
Power consumption: ≤3W	ON-OFF frequency: ≤5kHz (Open collector output)
Input: frequency signal, dry contact, proximity switch, TTL, voltage pulse	≤20Hz (Relay output)
contact signal input: short circuit current 8mA	Insulation resistance: ≥100MΩ/500VDC
open circuit voltage 8V	Dielectric strength: input/output ≥2000VAC (1min)
other signal input: design before order	input/power ≥2000VAC (1min)
Output : relay, open collector, collector with voltage	output/power ≥1000VAC (1min)
Relay output: contact type: normal open	Operating temperature: 0~50℃
Contact capacity:0.2A/30VDC	Storage temperature: -40~85℃
Open collector: exterior power supply:≤30VDC	Operating humidity: 10~90%RH
Load current : ≤60mA	Atmospheric pressure: 86~106kPa
Collector with voltage: high level ≥20V	Installation: DIN 35mm rail
low level ≤3V	Dimension: 122mm×18mm×96mm

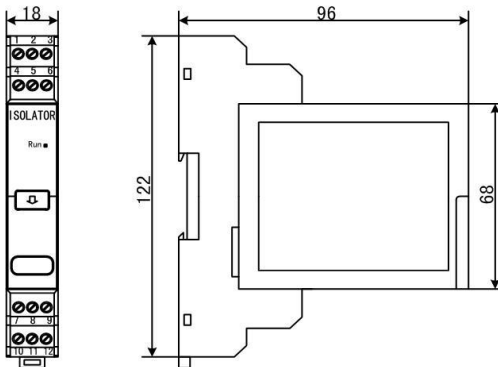
4. Ordering Information

XP series code table :

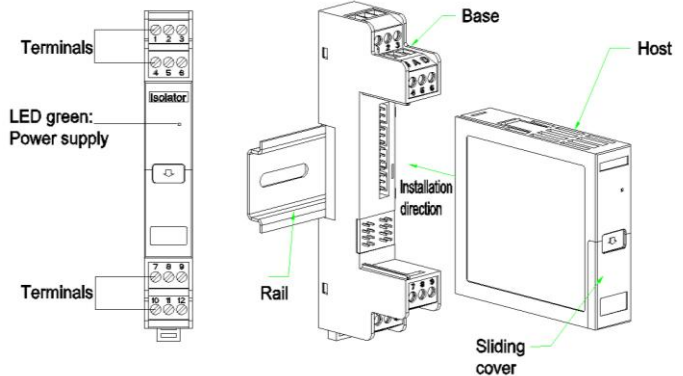


5. Dimension & Installation

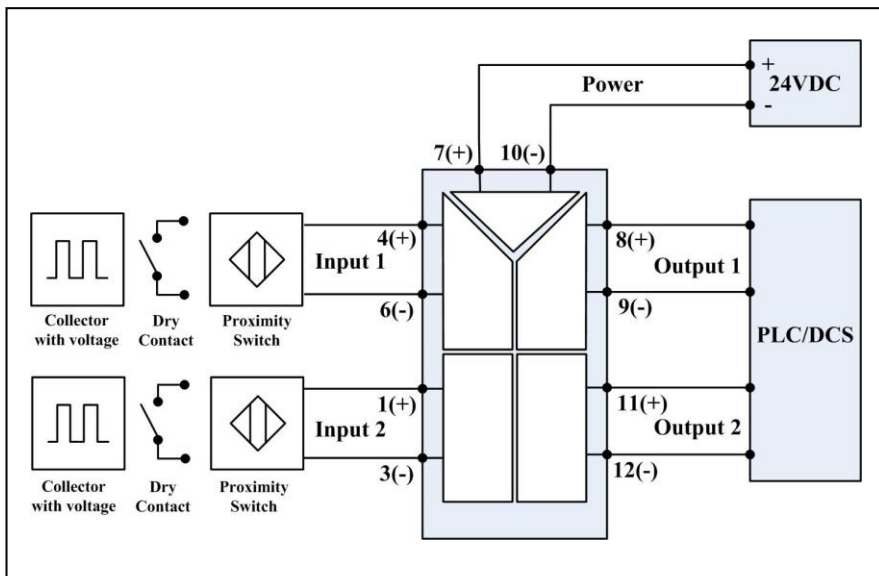
Dimension (122mm×18mm×96mm)



Installation



6. Typical Connection



Note: The connection diagrams given in this manual are typical. When installing, please refer to the connection diagram on the product.

7. Examples of ordering

Refer to the code table above and provide the model number correctly.

Example 1 input: one channel dry contact, output: one channel relay signal, power supply: 24VDC

order model: XP-F1-1

Example 2 input: one channel collector with 24VDC signal, output: two channels collector with 24VDC signal,

power supply: 24VDC

order model: XP-F2-4-4



Please Scan